


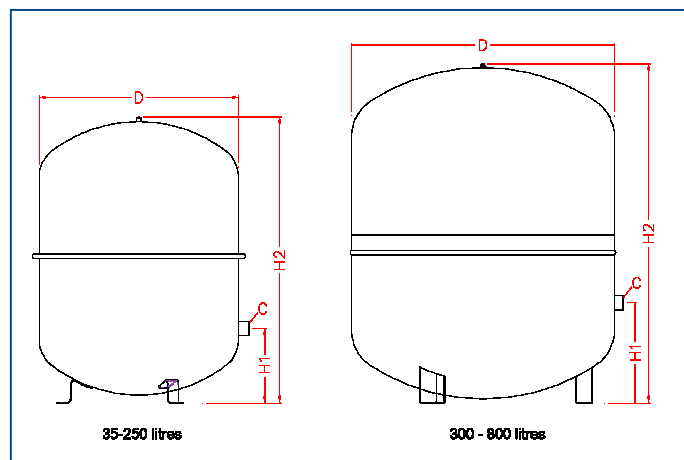




-  **120° C Max. flow operating temp**
-  **70° C Max. vessel operating temp**
-  **Max. water pressure: 6 bar (35 ltr.: 3 bar)**



Ref. No.	Litres	Diam. (D)	Connection (C)	H1	H2	Weight (kg)	Max working pressure (bar)
HV35C	35	376	0.75"	130	460	5.7	3
HV50C	50	441	0.75"	175	495	7.5	6
HV80C	80	512	1.00"	175	565	9.9	6
HV100C	100	512	1.00"	175	670	11.2	6
HV140C	140	512	1.00"	175	912	14.5	6
HV200W	200	634	1.00"	235	795	37	6
HV250W	250	634	1.00"	235	925	45	6
HV300W	300	634	1.00"	235	1090	52	6
HV400W	400	740	1.00"	245	1090	65	6
HV500W	500	740	1.00"	245	1290	79	6
HV600W	600	740	1.00"	245	1530	85	6
HV800W	800	740	1.00"	245	1995	103	6