



DZR Brass body construction for durability



Compact space saving device



Large body passages provide low pressure drop



Prevents backflow due to backsiphonage or back pressure

OVERVIEW

The Reduced Pressure Zone Backflow Preventer is designed to protect potable water supplies in accordance with national plumbing regulations and water company requirements. It can be used in a variety of installations, including the prevention of high hazard cross connections in piping systems (up to fluid category 4 of the water regulations) or for containment at the service line entrance. This model features two inline, independent check valves, captured springs and replaceable check seats with an intermediate relief valve. Its compact modular design facilitates easy installation, maintenance and testing.

TYPICAL APPLICATIONS

Reduced Pressure Zone Backflow Preventers are particularly suitable for industrial and commercial applications. However they can also be used, within the scope of their specification, for supplies to buildings.

The following are some typical uses:-

- Chemical admixture plant
- Chemical cleaning plant
- Electroplating baths
- Hot water boilers
- Automatic pressure boilers

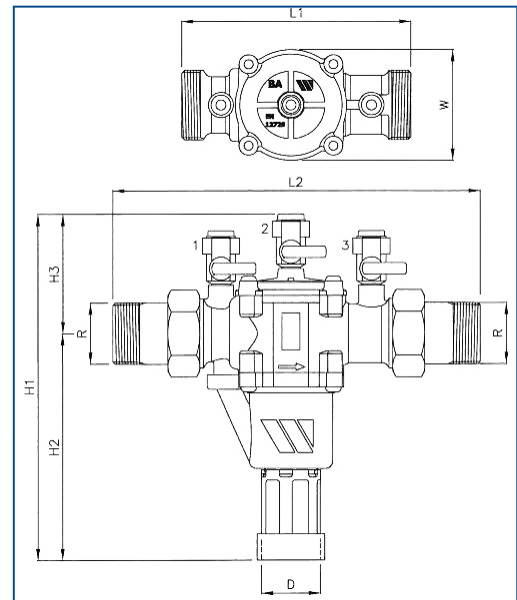
Reduced Pressure Zone Backflow Preventers are suitable for supply pressure up to PN10 (10 bar)

PRESSURE - TEMPERATURE

- The RPZ is suitable for supply pressure up to PN10 (10 bar)
- Water Temperature: Minimum 1° C, Maximum: 90 ° C for 1 hour/day

MATERIALS

- DZR brass CW602N body construction.
- Rubber seal material in the first and second check, plus the relief valve.
- Plastic modular check valve construction.
- Tundish - Plastic.



Overall dimensions

BA BM	unit	015	020	025	032	040	050
Connections (Male)	R	inch	½"	¾"	1"	1 ¼"	2"
Tundish connection (Female)	D	mm	32	32	40	40	50
Overall length excl. connections	L1	mm	122	122	157	157	220
Overall length incl. connections	L2	mm	201	201	252	252	336
Height	H1	mm	168.5	168.5	238	238	303.5
Height	H2	mm	103	103	156	156	202.5
Height	H3	mm	65.5	65.5	82	82	101
Width	W	mm	53	53	76	76	115
Weight, incl. connections and tundish	L	kg (+/-)	1,2	1,2	2,7	2,7	6,5

Flow Mech Products are Accredited Testers

Flow Mech Products Ltd., Abbey House, Charter Street, Leicester LE1 3UD

Tel: 0116 242 5425 Fax: 0116 242 5555

Email: info@flowmech.co.uk www.flowmech.co.uk